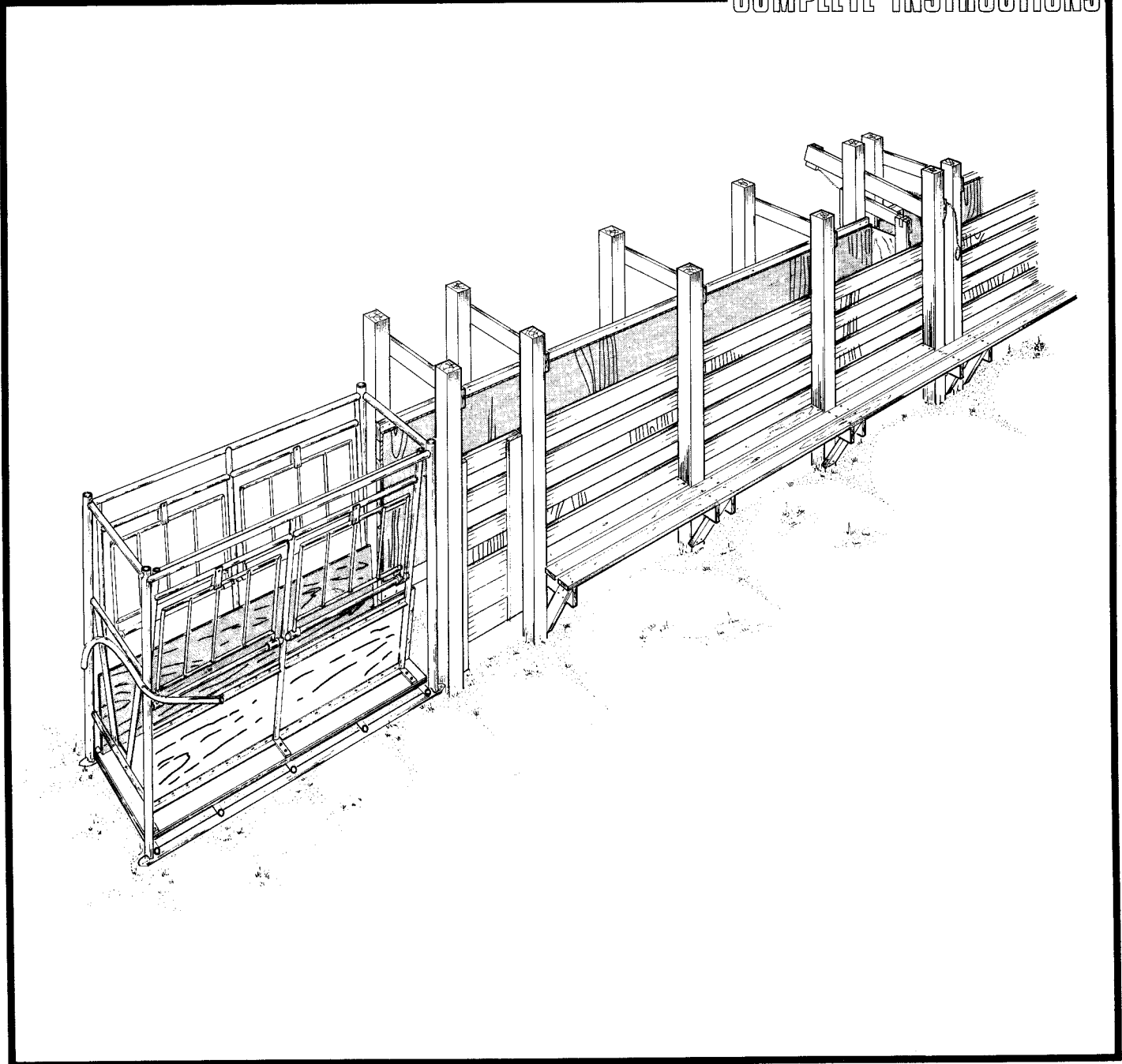


WORKING CHUTE

COMPLETE INSTRUCTIONS

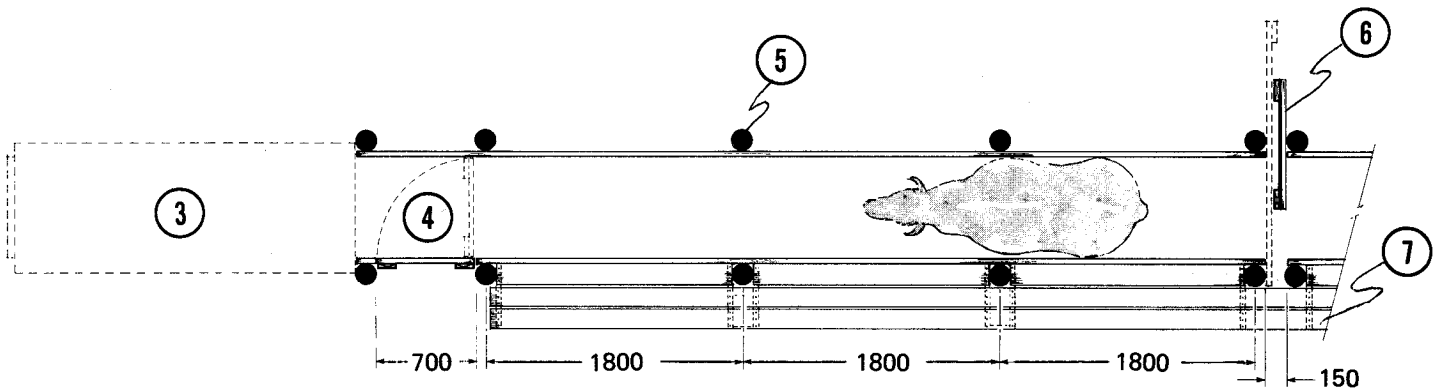
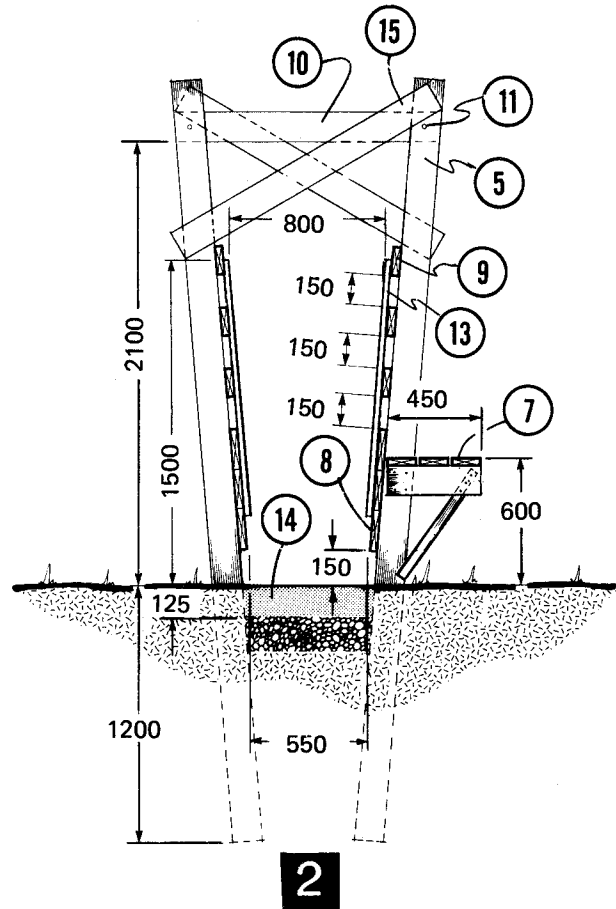
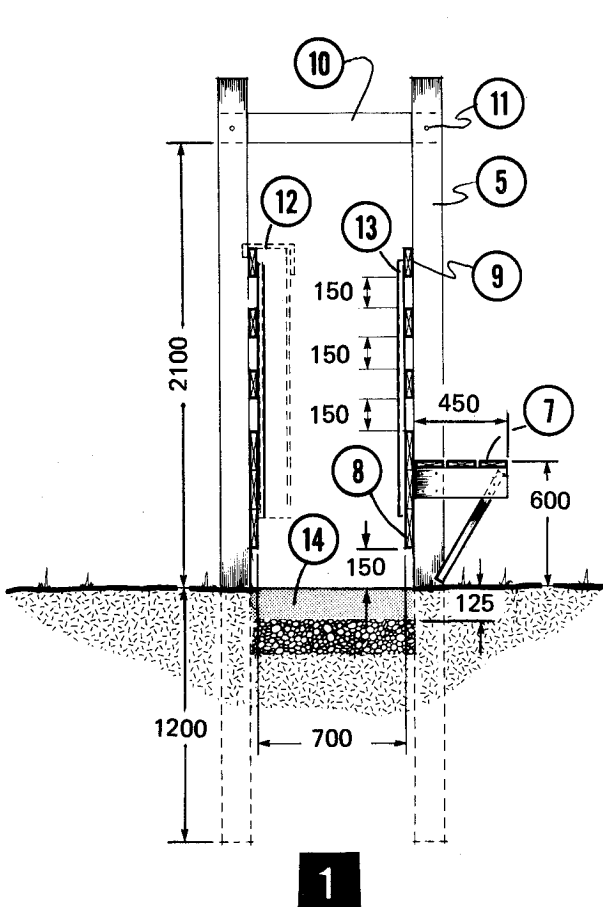


The Canada Plan Service prepares detailed plans showing how to construct modern farm buildings, livestock housing systems, storages and equipment for Canadian Agriculture.

This leaflet gives the details for a farm building component or piece of farmstead equipment. To obtain another copy of this leaflet, contact your local provincial agricultural engineer or extension advisor.

WORKING CHUTE

PLAN M-1813 REVISED 84:07



- 1 straight chute section
- 2 alternate tapered chute section; chute dimensions recommended for feeder cattle up to 450 kg; heavier cattle and some exotic breeds may need a wider chute
- 3 commercial pipe frame headgate and cattle squeeze
- 4 access gate to close across chute
- 5 125 mm top dia., or 89 x 140 x 3600 mm CCA pressure-treated sawn poles
- 6 blocking gate (see leaflet M-1814)
- 7 catwalk 3 - 38 x 140 mm on 38 x 140 mm each side of pole, 38 x 140 x 600 mm brace to pole 5

- 8 3 - 38 x 184 mm bottom rails
- 9 3 - 38 x 140 mm top rails
- 10 38 x 140 mm cross-tie
- 11 200 mm carriage bolt
- 12 optional filler (for handling young cattle); 38 x 140 mm (d~ 600 mm oc d 1200 mm high plywood, suspend from 9
- 13 9.5 mm exterior select sheathing plywood, face grain vertical
- 14 optional rough-textured concrete base on compacted granular fill
- 15 temporary cross-bracing to pole pairs while locating and tamping into position